

**DATA MODUL**

# Wheel on Display

Touch display meets physical control



**Passion Displayed**

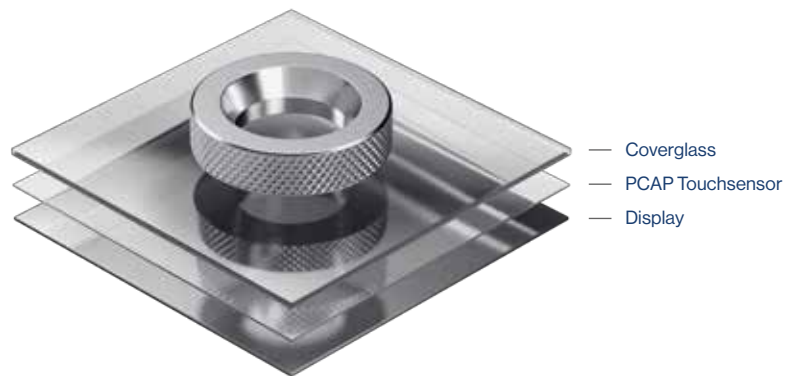


## Maximum operational safety Discover our Wheel on Display

In addition to classic touch input, smart additional features create extended operating options for touch displays. With our Wheel on Display technology, we combine the advantages of a touch panel with a mechanical rotary wheel for even more precise operation. The technology not only provides more flexibility in the GUI, but also optimises system interaction thanks to haptic feedback, especially in areas such as medical technology, where HMI interaction sometimes has to take place without eye contact.

## Ensuring a flawless operation Structure & functionality

Based on our modular concept, we offer a selection of wheel variants and can also develop customised rotary wheels on request. Thanks to the encoder function, we enable simple integration into a complex housing without the need to break through the glass and use state-of-the-art touch controller functions to set the touch settings. Once the rotary control has been integrated and initialised, the touch sensor registers the input made using the wheel and ensures reliable event execution thanks to precise input compared to traditional touch operation.



## Upgrade your application Your advantages at a glance

- ▶ Convenience & safety thanks to integrated control wheel
- ▶ Supplied as a complete preassembly with optimum performance
- ▶ More GUI flexibility thanks to the combination of Wheel on Display & touch display

## An added value for various areas Applications of Wheel on Display

- ▶ Agricultural & construction machinery
- ▶ Audio & sound engineering
- ▶ Entertainment sector
- ▶ Medical technology
- ▶ Professional kitchen



For more information contact your DATA MODUL sales partner [sales@data-modul.com](mailto:sales@data-modul.com) or visit our website: [www.data-modul.com](http://www.data-modul.com)

